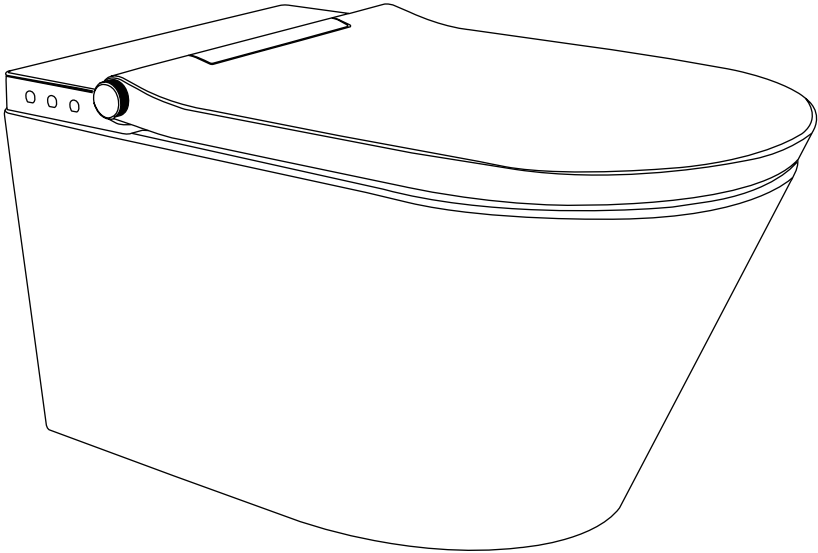


Intelligent Toilet Installation Instruction



Apply to MM-4020-F





Important Note

Installation Instructions

Installation instructions are used to guide the correct installation toilet. Please read them carefully before installation.

Icon and Meaning Explanation

 **Danger** Inevitably, it will lead to serious injury and even death.

 **Caution** Represents an operation practice unrelated to physical injury.

Please read the instructions in this chapter


Target Reader and Installer Qualifications

This intelligent toilet level related water pipe can only be installed by qualified plumbers. Electrical installation can only be carried out by qualified electricians.

Safety instructions

 **Caution** Product and/or performance damage

* Be sure to abide by the national/regional standards and local installation regulations.

 **Caution** The product is damaged by the freezing of water.

* It is forbidden to install intelligent toilets in rooms at risk of frost. The lowest indoor temperature is not less than 4 C.

 **Caution** Damage caused by condensation of water vapor

* When the intelligent toilet is moved from the low temperature environment to the high temperature environment, please unplug the power for several hours first.

It is strictly forbidden to dismantle independent parts and components

 **Danger** Deadly electric shock danger!

* If the power cord is damaged, it must be replaced by the manufacturer's maintenance personnel or similar professionals.

* Instruments must be properly grounded.

* Fixed wiring must be equipped with an electric shock distance device to provide full-pole disconnection under over-voltage level III conditions according to wiring rules.

* Fixed wiring power supply wire specifications for wire nominal cross-sectional area of 1-2.5 square millimeters.

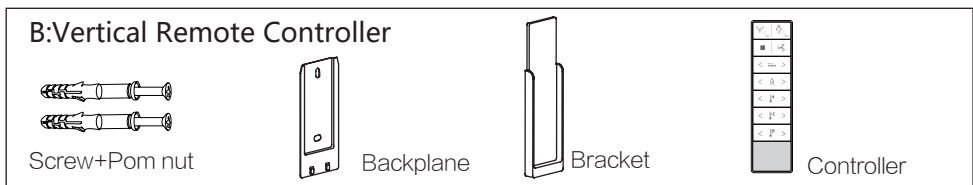
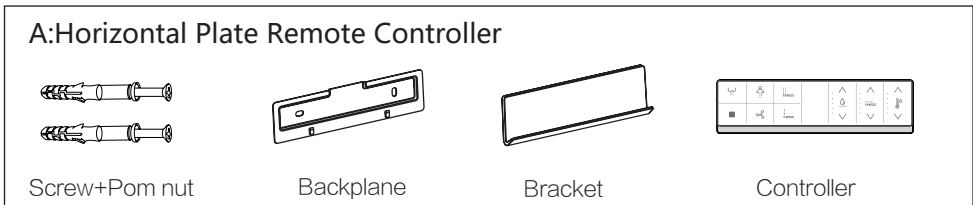
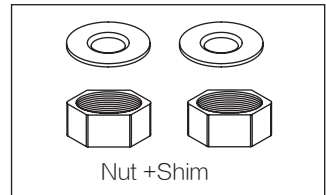
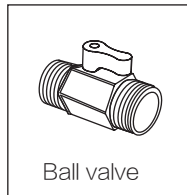
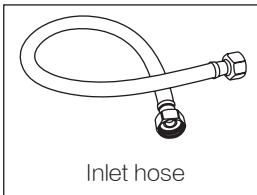
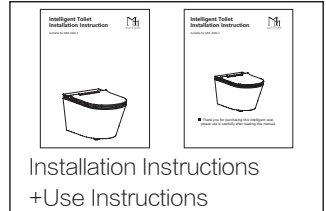
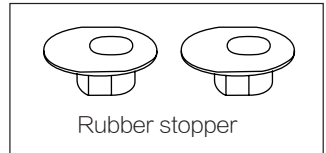
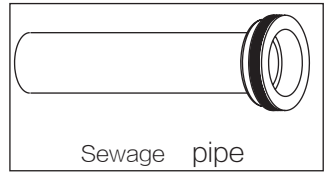
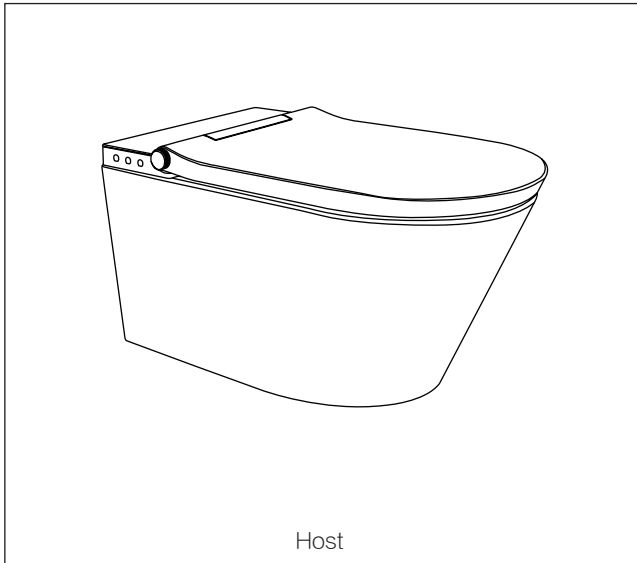
* Determine that the grounding end of the power supply line is 10 mm longer than that of the fire line (L) and the zero line (N).

 **Caution**

* The unit of length in this installation instruction is millimeter (mm).

* The appliance will be permanently connected to the water pipe. Remove the water pipe assembly except for installation and maintenance.

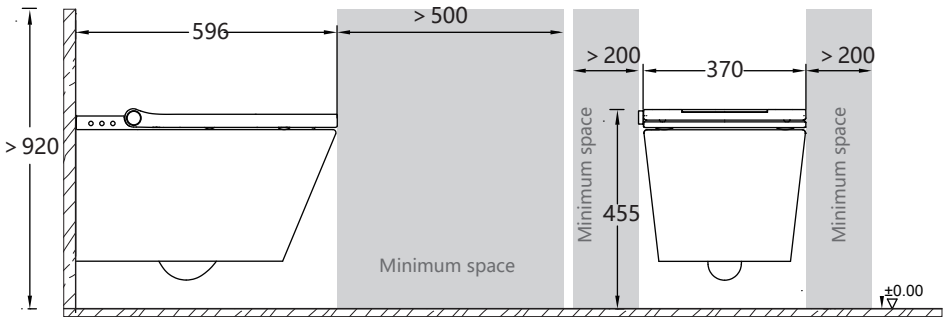
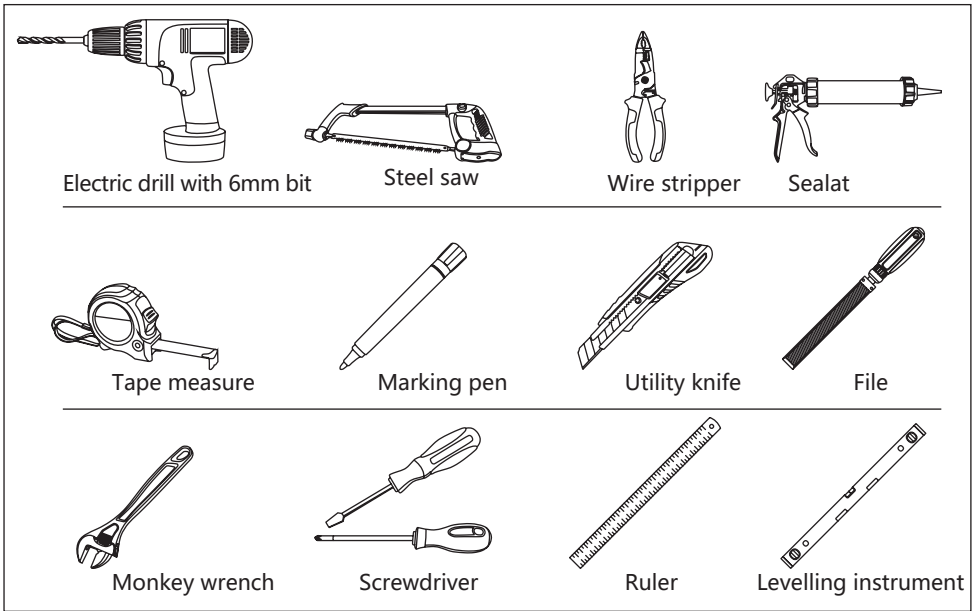
Bill of materials



⚠ Caution Remote Control Installation

- * Please make sure that the toilet is installed before the remote control is installed.
- * Letter A: Represents the installation steps of the horizontal panel remote control.
- * Letter B: Represents the installation steps of the vertical remote control. According to the type of remote control you choose, install it step by step.

Installation tools



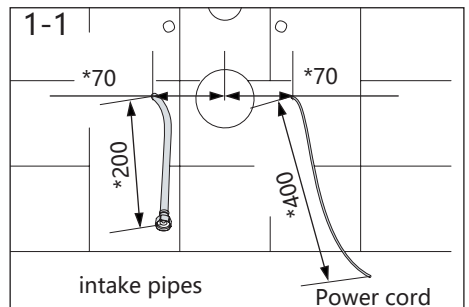
Installation Mode 1

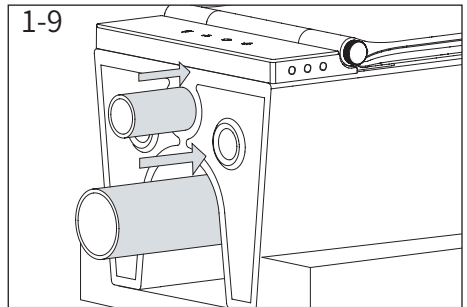
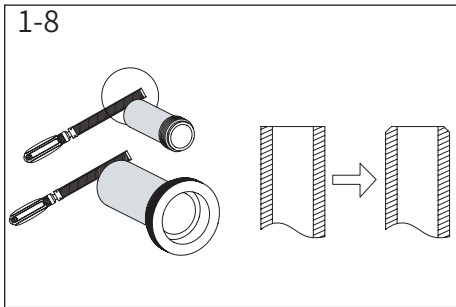
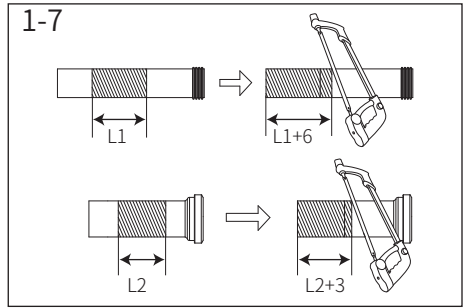
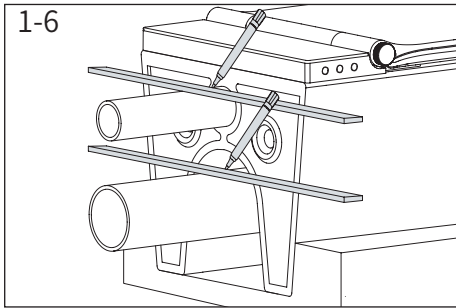
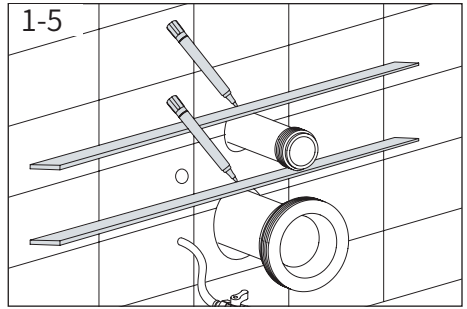
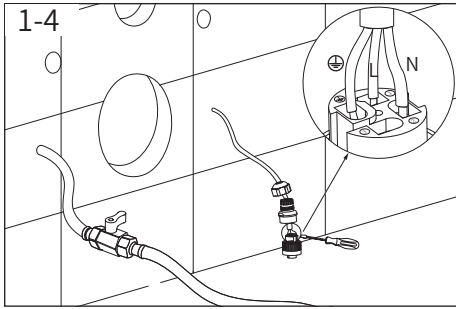
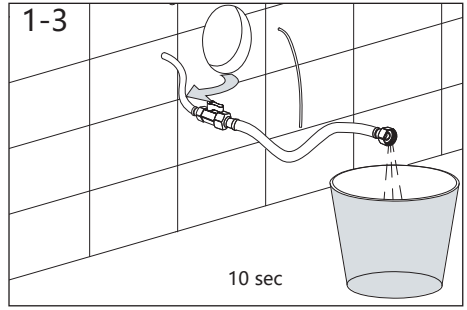
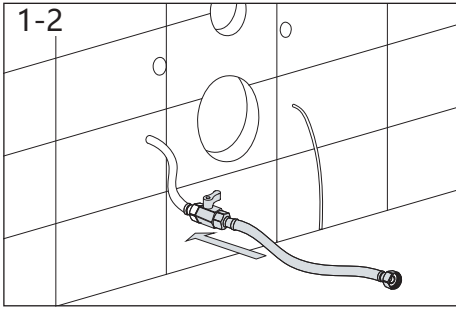
Confirmation before installation

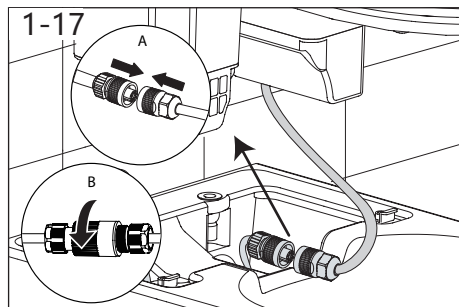
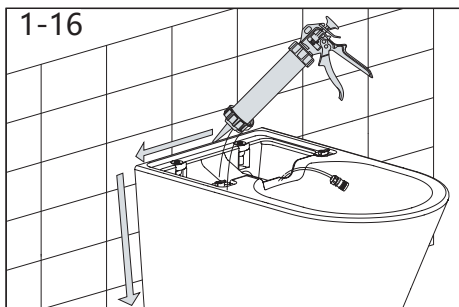
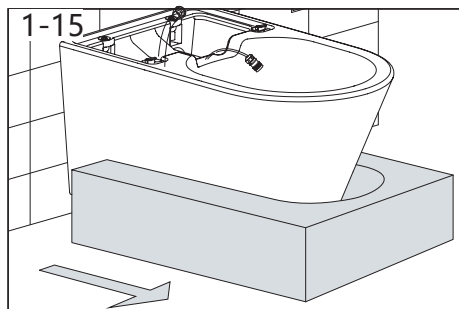
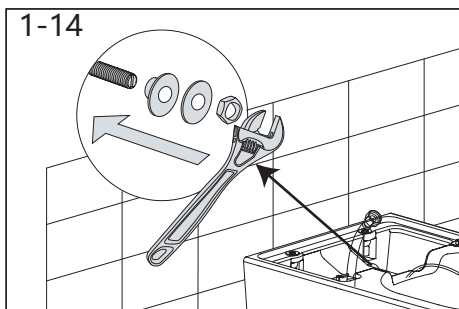
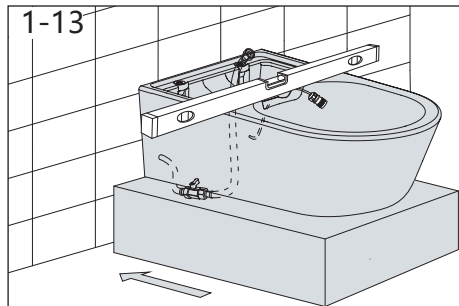
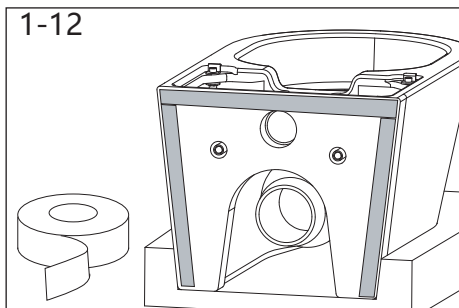
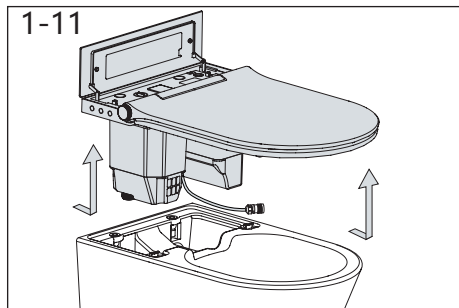
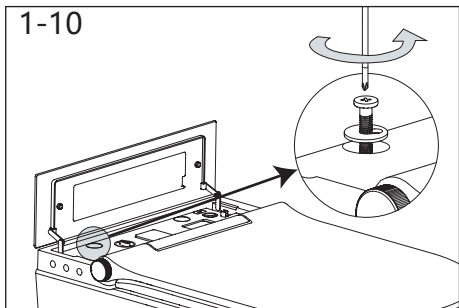
- 1、 The toilet installation area should be equipped with intake pipes.
- 2、 The toilet installation area should be equipped with power cord.

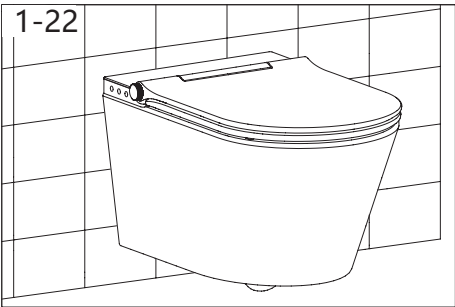
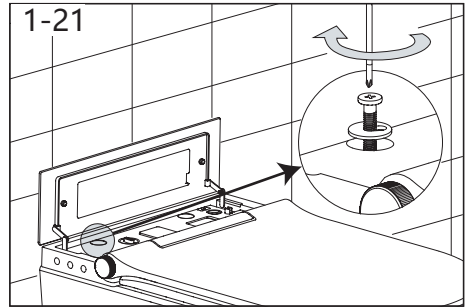
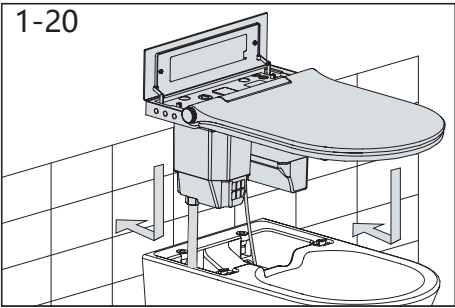
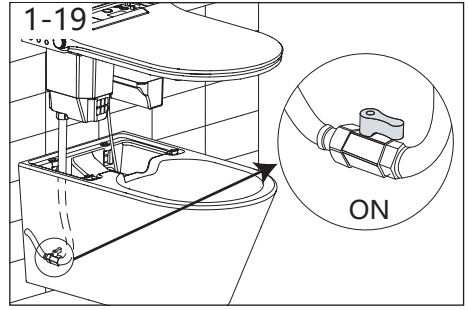
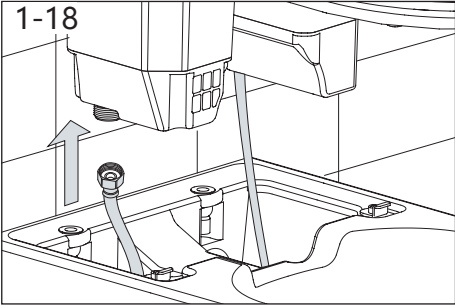


This operation should be carried out by a professional.



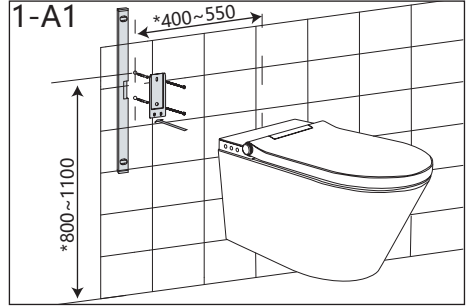
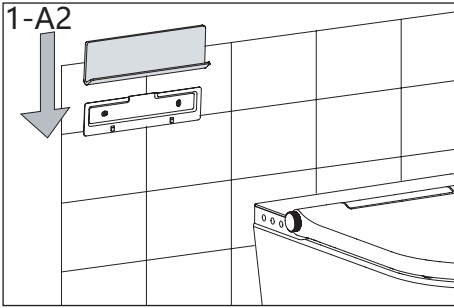
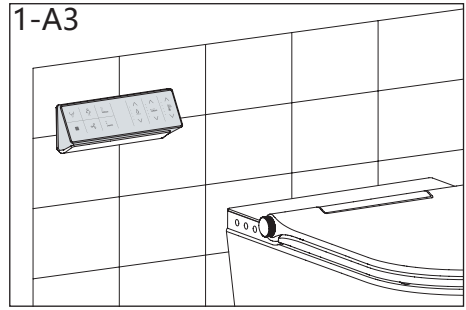




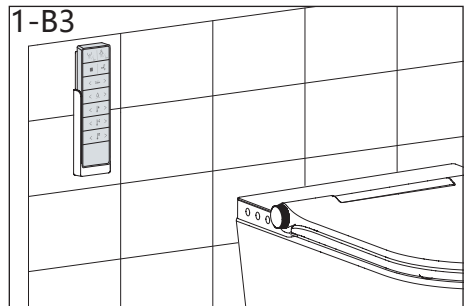
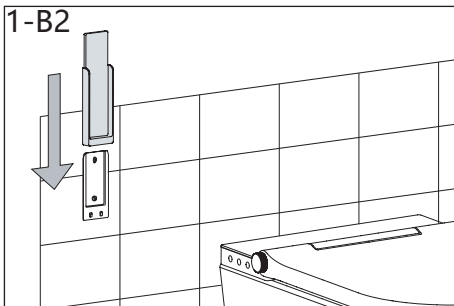
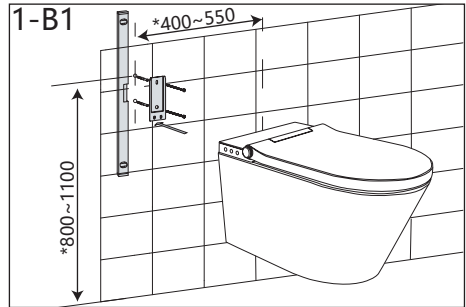


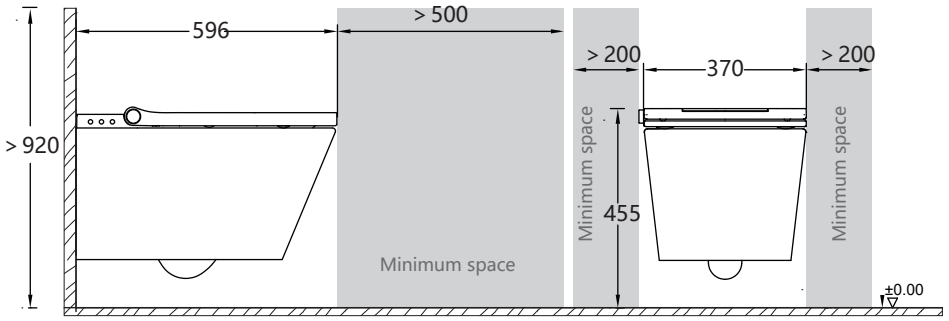
Remote Control Inatallation

1-A
Horizontal plate remote control inatallation
"*" Recommended size



1-B
Vertial remote control inatallation
"*" Recommended size





Installation Mode 2

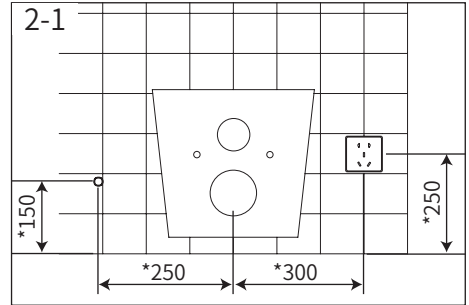
Confirmation before installation

1. The toilet installation area should be equipped with angle valves.
2. The toilet installation area should be equipped with power sockets.

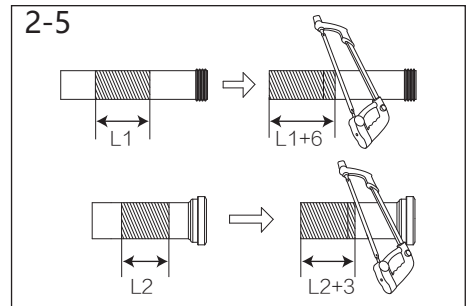
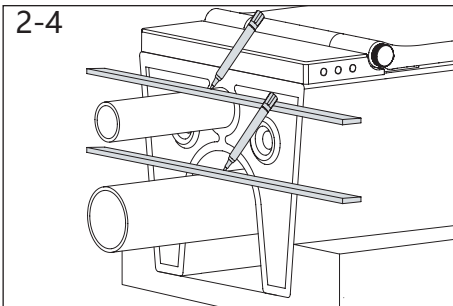
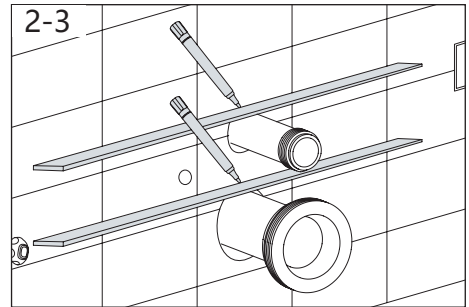
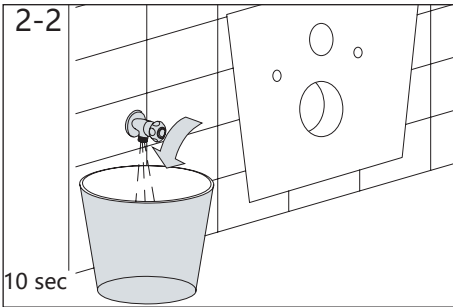


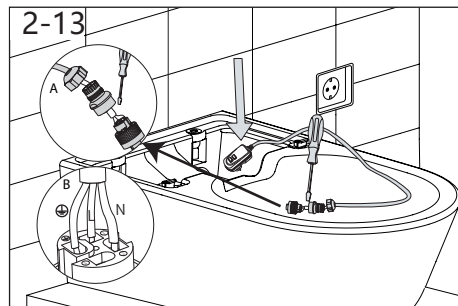
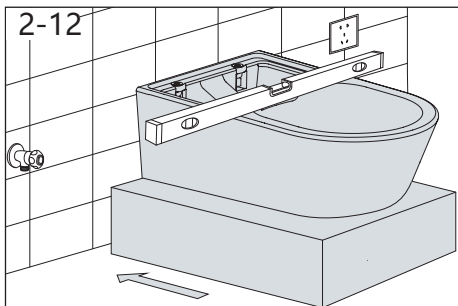
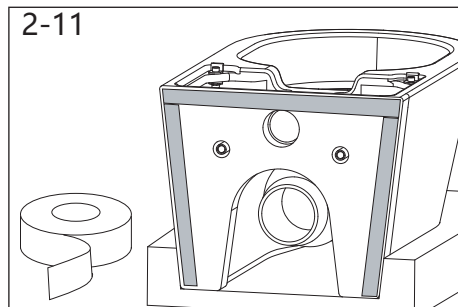
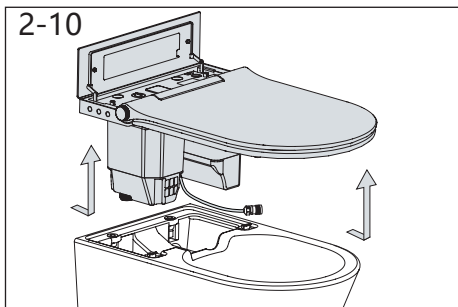
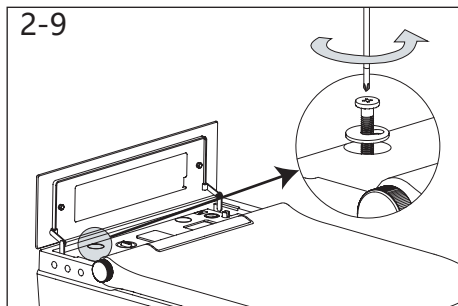
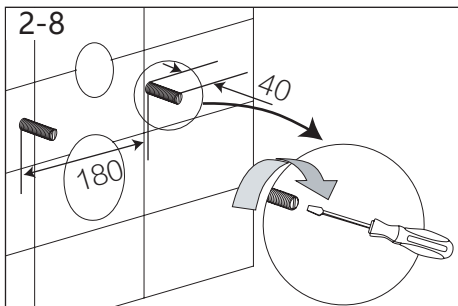
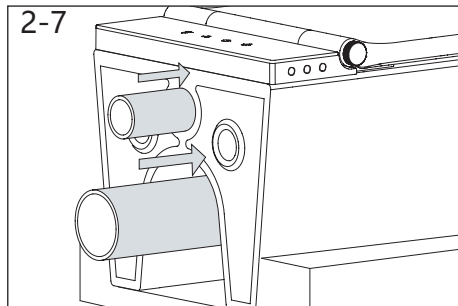
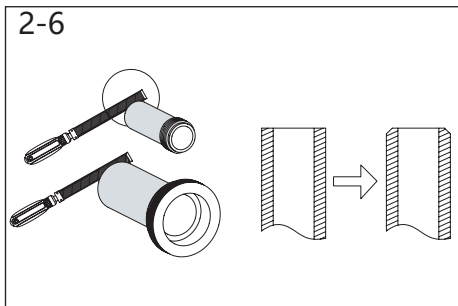
DANGER

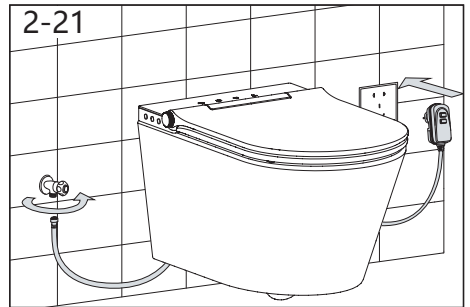
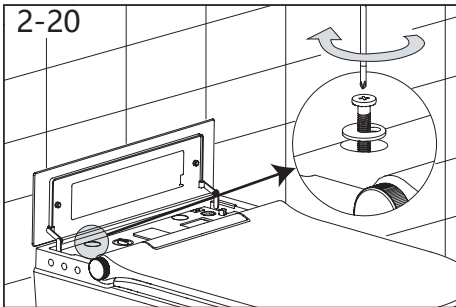
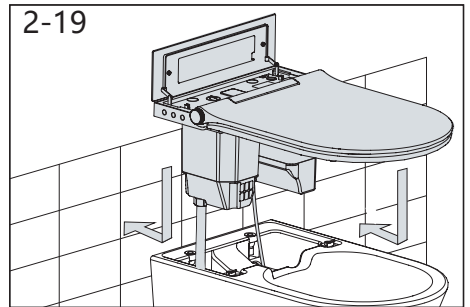
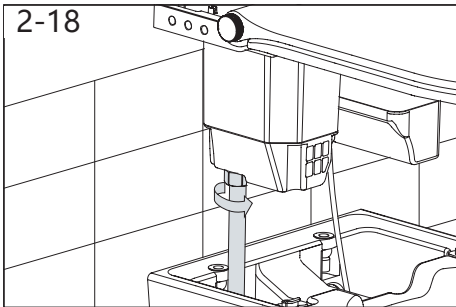
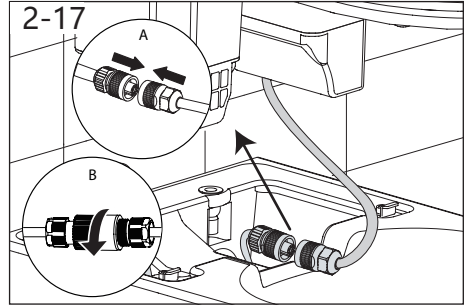
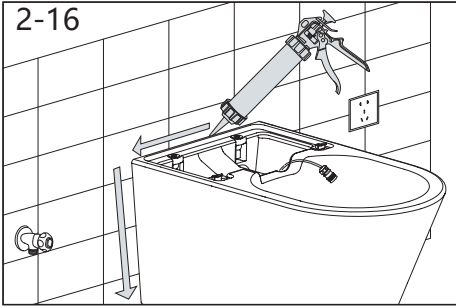
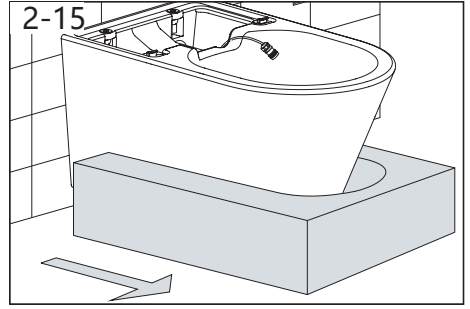
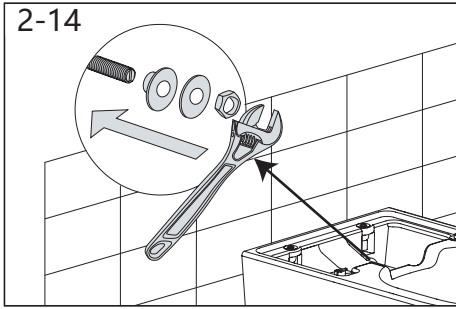
This operation should be carried out by a professional.



"*" Recommended size

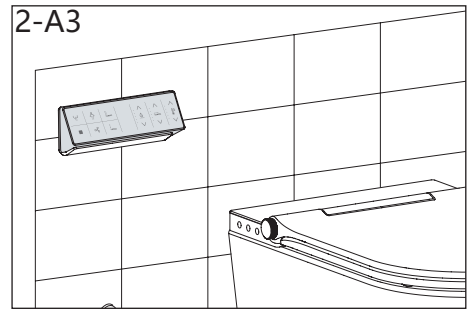
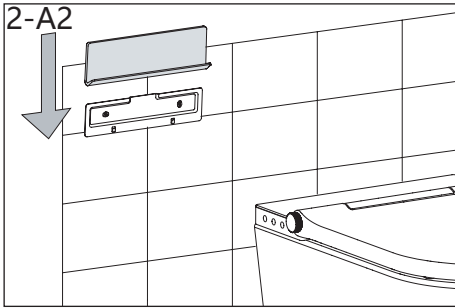
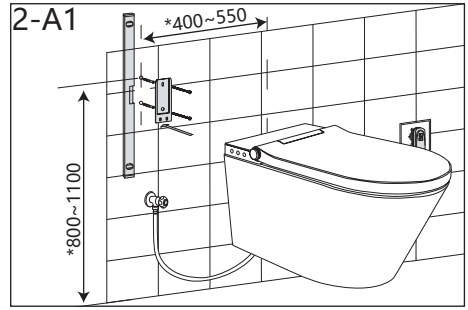




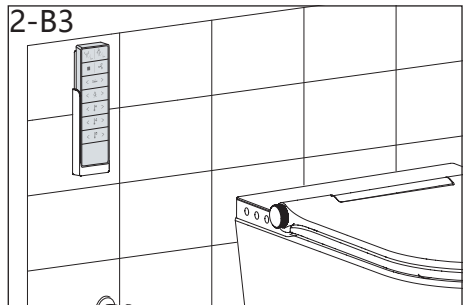
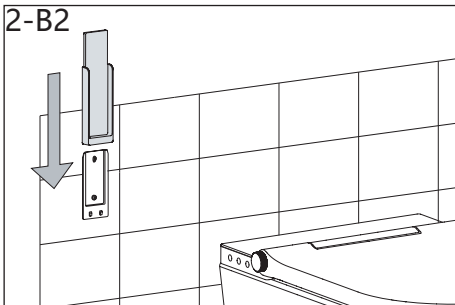
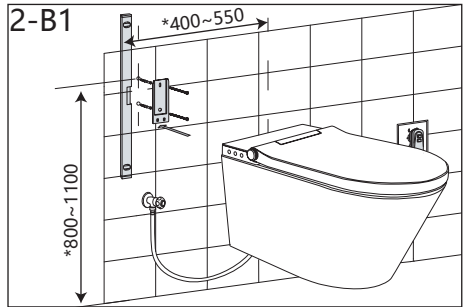


Remote Control Installation

2-A
Horizontal plate remote control installation
"*" Recommended size



2-B
Vertical remote control installation
"*" Recommended size



VIVO Sp. z o. o.

Add: Bartycka 26/24, 00-716 Warszawa, Polska

Tel. +48 888 593 158

Kom. +48 735 877 668

E-mail: vivo@majormaker.pl

Web.: www.majormaker.pl