



Washing Toilet DELUXE B - suspended version

We use the most advanced technological solutions in our intelligent toilets.

Thanks to this, we guarantee you and your loved ones care at the highest level.

We provide a cleaner and healthier - everyday - lifestyle.





DESCRIPTION

The Major & Maker DELUXE B shower toilet is a complete device consisting of a suspended toilet bowl equipped with advanced bidet functions.

A modern, wireless remote control with a memory of individual settings makes using the device a pure pleasure.

The product is easy to install and compatible with all flush-mounted racks that support the standard 18 cm bolt distance.

The shower toilet is mounted on a concealed frame and connected to the cold water supply, electric cable and drain.

The device has a built-in heating system that provides unlimited access to hot water with the possibility of setting the temperature level.

The heated seat not only provides a pleasant feeling, but also allows the body to relax and comfortably meet its biological needs.

In addition to the washing programs, the device is equipped with, among others, the function of drying with warm air, which allows you to abandon toilet paper once and for all.

Thanks to the built-in tank for descaling liquid, you will take care of the water installation of the device and you will not have to worry about the quality of water in your area.

The active carbon cartridge actively and effectively absorbs unpleasant odors, thus increasing the comfort of use.



Major & Maker - perfect cleanliness at the touch of a button.

The Major & Maker company was established with the idea of creating automatic bidets.

The Major & Maker shower toilet is the answer to an easier, more comfortable and healthier everyday toilet.

Our devices provide the highest-class cleanliness and efficiency in caring for hygiene and comfort for you and your family at the touch of a button.

A shower toilet is an optimal combination of efficiency and comfort of use with an extraordinary design and simple, intuitive operation.

The Major & Maker DELUXE B shower toilet is a premium device that is currently one of the most technologically advanced electronic bidets available on the market.

Using the Major & Maker DELUXE B shower toilet reduces the risk of bacterial infections in the intimate areas. Water is the purest and most effective natural product for the hygiene of even the most delicate part of the body. Thanks to the Major & Maker DELUXE B shower toilet, you can easily take care of perfect hygiene for yourself and your loved ones.



MAJOR & MAKER



FUNCTIONS

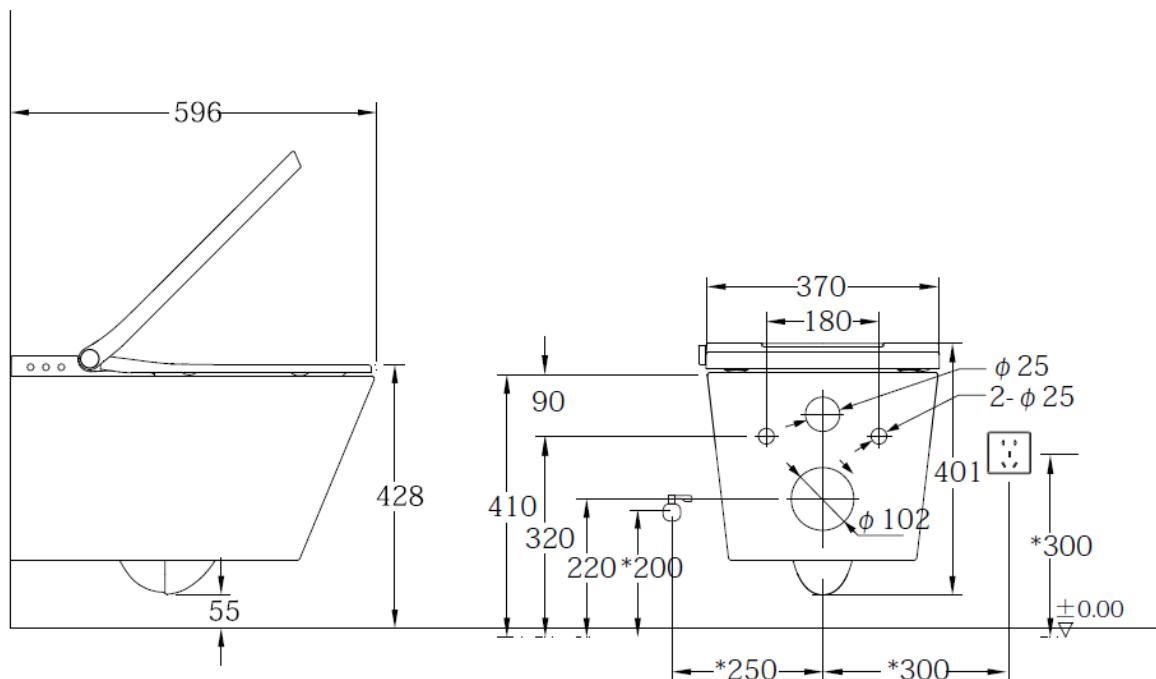
- Convenient and intuitive remote control. Access to selected functions on the button panel on the side. Built-in LED display.
- High-quality, antibacterial washing nozzle with two independent washing water jets with an easily removable tip, resistant to dirt and corrosion.
- Self-cleaning of the washing nozzle before and after washing.
- Rear and front washing function with unlimited hot water.
- Advanced flow heating system guarantees immediate heating and stable water temperature during washing.
- Automatic replacement of the water in the tank with fresh water every 72 hours.
- Container for descaling fluid, which protects the inside of the installation against limescale.
- Option to switch the nozzle operation mode (spot washing, massage, turbo mode with intense water pulsation, which supports the defecation process).
- Adjustable water pressure level.
- Warm air drying function.
- Toilet seat heating function.
- Lid and toilet seat drop buffer.

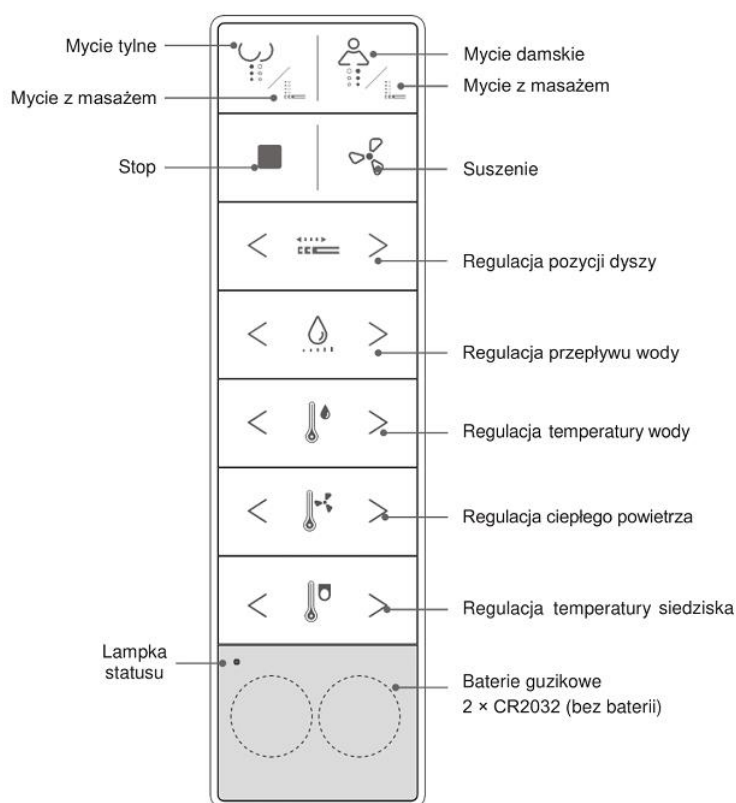


MAJOR & MAKER

- The cover of the toilet seat and toilet lid is made of high-quality ABS materials, resistant to discoloration, bacterial deposition, UV radiation and fire.
- Built-in charcoal bamboo odor trap.
- For the sake of long service life, high-class electronic components have been used that are designed for failure-free operation for a period of 8 to 15 years.
- The function of automatic moistening of the bowls before using the toilet, which makes them much less susceptible to dirt.
- The function of automatic cleaning of the inside of the shell in the flushing process.
- The function of illumination of the inside of the shell.
- A rimless toilet.
- Attractive appearance, the quality of the materials used and a uniform coating that makes it easier to keep the device clean.

SPECIFICATION





Dimensions: **599x385x400mm**

Weight: **29.5 kg**

Voltage: **220V-240V 50Hz-60Hz 1400W**

Mounting method: **suspended toilet, mounting to a concealed frame with a water tank and a flushing button**

Major & Maker showroom

Address:

ul. Bartycka 24/26 pavilion 123, 00-716 Warsaw

Opening hours:

Mon - Fri 10:00 - 17:00

Sat 10:00 - 15:00

Contact details:

mobile: +48 735-877-688

email: vivo@majormaker.pl