



Washing Toilet SUPREME - suspended version

We use the most advanced technological solutions in our intelligent toilets.

Thanks to this, we guarantee you and your loved ones care at the highest level.

We provide a cleaner and healthier - everyday - lifestyle.





DESCRIPTION

The Major & Maker SUPREME shower toilet is a complete device consisting of a suspended toilet bowl equipped with advanced bidet functions.

A modern, wireless remote control with a memory of individual settings makes using the device a pure pleasure. The product is easy to install and compatible with all flush-mounted racks that support the standard 18 cm bolt distance. The shower toilet is mounted on a concealed frame and connected to the cold water supply, electric cable and drain.

The device has a built-in heating system that provides unlimited access to hot water with the possibility of setting the temperature level and pressure of the washing water.

The heated seat not only provides a pleasant feeling, but also allows the body to relax and comfortably meet its biological needs.

In addition to the washing programs, the device is equipped with, among others, the function of drying with warm air, which allows you to abandon toilet paper once and for all.

For the sake of the highest level of comfort of use, the device is equipped with the functions of electronic opening and closing of the seat and toilet lid:

- manually with the support of an automatic mechanism
- after bringing the foot to the sensor
- after pressing the opening / closing button on the remote control

The built-in carbon filter actively and effectively absorbs unpleasant odors, thus increasing the comfort of use.



Major & Maker - perfect cleanliness at the touch of a button.

The Major & Maker company was established with the idea of creating automatic bidets.

The Major & Maker shower toilet is the answer to an easier, more comfortable and healthier everyday toilet. Our devices provide the highest-class cleanliness and efficiency in caring for hygiene and comfort for you and your family at the touch of a button. A shower toilet is an optimal combination of efficiency and comfort of use with an extraordinary design and simple, intuitive operation.

The Major & Maker SUPREME shower toilet is a premium device that is currently one of the most technologically advanced electronic bidets available on the market.

Using the Major & Maker SUPREME shower toilet reduces the risk of bacterial infections in the intimate areas. Water is the purest and most effective natural product for the hygiene of even the most delicate part of the body. Thanks to the Major & Maker SUPREME shower toilet, you can easily take care of perfect hygiene for yourself and your loved ones.



MAJOR & MAKER



FUNCTIONS

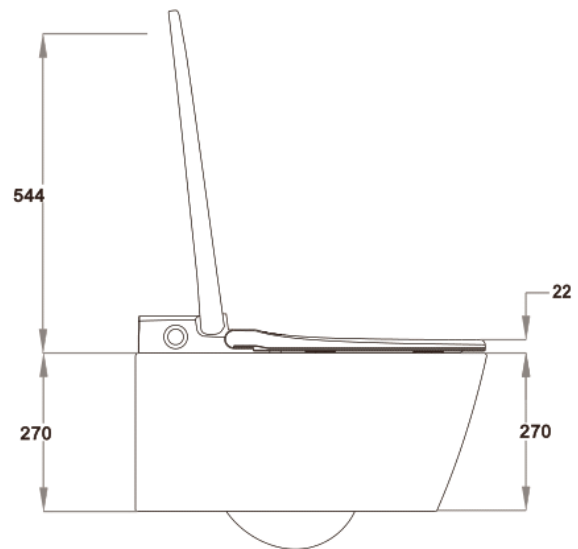
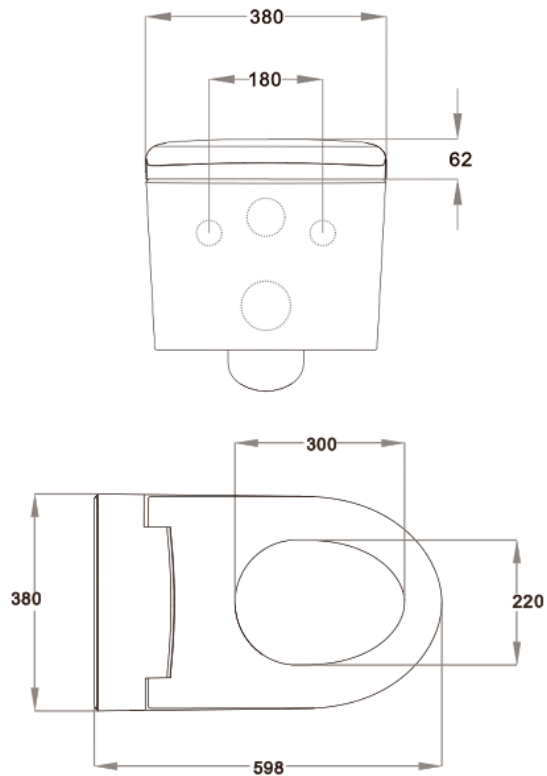
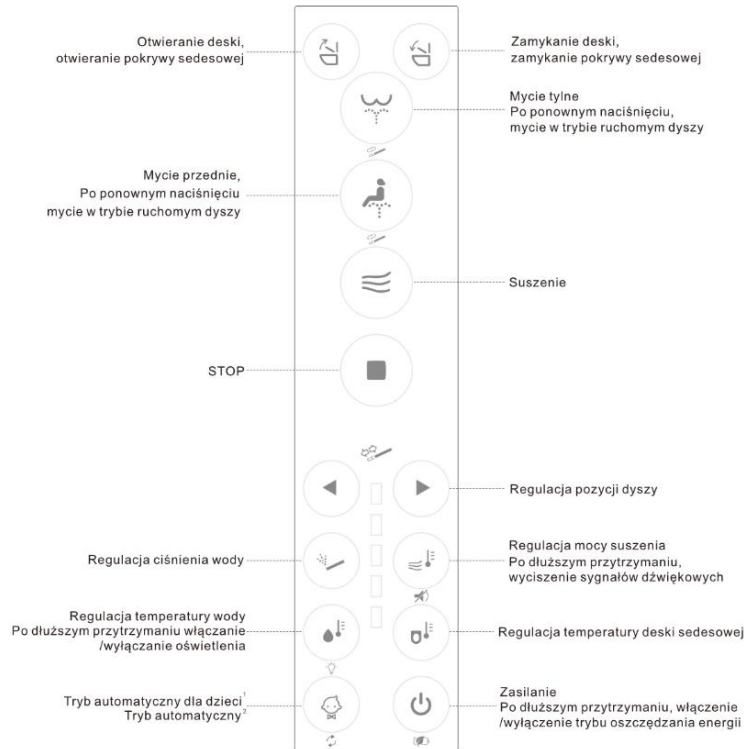
- Convenient and intuitive remote control. Access to selected functions on the button panel on the side. Built-in LED display.
- High-quality anti-bacterial washing nozzle with two independent washing water jets, resistant to dirt and corrosion.
- Self-cleaning of the washing nozzle before and after washing.
- Rear and front washing function using unlimited hot water (heating power: 1300W, water consumption 0.5l / min - 0.9l / min, temperature adjustment options: room, 30 ° C, 35 ° C, 40 ° C).
- Advanced flow heating system guarantees immediate heating and stable water temperature during washing.
- The electromagnetic pressure reducing valve protects the inside of the installation against limescale.
- Option to switch the nozzle operation mode (spot washing, massage, turbo mode with intense water pulsation, which supports the defecation process).
- The ability to adjust the level of water pressure (4 adjustment options in the range 0.08MPa - 0.75MPa).
- Possibility to adjust the position of the nozzle deflection (4 adjustment options depending on your preferences).
- Warm air drying function (heating power: 200W, temperature adjustment options: room, 45 ° C, 50 ° C, 55 ° C).
- Baby washing mode (quick washing and drying with working parameters suitable for children).
- Automatic mode (the entire cycle from washing to drying).
- Heated seat (heating power: 50W, temperature adjustment options: room, 30 ° C, 35 ° C, 40 ° C).



MAJOR & MAKER

- ECO mode for energy saving in which the seat and water are not heated while the sensor detects no presence.
- Automatic opening and closing of the toilet seat / lid.
- The cover of the toilet seat and toilet lid is made of high-quality ABS materials, resistant to discoloration, bacterial deposition, UV radiation and fire.
- The function of automatic cleaning of the toilet interior.
- Built-in charcoal bamboo odor trap.
- For the sake of long service life, high-class electronic components have been used that are designed for failure-free operation for a period of 8 to 15 years.
- The function of illumination of the inside of the shell.
- Attractive appearance, the quality of the materials used and a uniform coating that makes it easier to keep the device clean.

SPECIFICATION





MAJOR & MAKER

Dimensions: **670 x 418 x 480 mm**

Weight: **43.7 kg**

Water intake from the source when flushing: **4.5l**

Built-in washing tank capacity: **0.3l**

Hydraulic Requirement: **1.5-7.5 KGF**

Water flow: **≥20L / min**

Major & Maker showroom

Address:

ul. Bartycka 24/26 pavilion 123, 00-716 Warsaw

Opening hours:

Mon - Fri 10:00 - 17:00

Sat 10:00 - 15:00

Contact details:

mobile: +48 735-877-688

email: vivo@majormaker.pl