



MAJOR & MAKER

## SAPPHIRE Washing Toilet Seat

Our intelligent washing boards with bidet function are a combination of: the highest quality, high comfort and health experience. Our toilet seats are easy to install and fit most of the bowl models available on the market.

It is a small change for your toilet and a big change for your healthy lifestyle.

The product is sold with Polish or English markings on the remote control, in both cases with the instruction manual in Polish.

In the absence of relevant information in the comments to the order, we will ship it randomly.





## **DESCRIPTION**

The Major & Maker SAPPHIRE shower seat is a toilet seat with advanced bidet functions.

A modern, wireless remote control with a memory of individual settings makes using the device a pure pleasure.

The product is easy to install and compatible with the majority of oval-shaped toilet bowls of appropriate sizes and the spacing of the fixing screws in the range of 12-18 cm.

The shower seat is installed on the toilet bowl in place of an ordinary toilet seat and connected to a cold water supply and an electrical outlet.

The device has a built-in heating system that provides unlimited access to hot water with the possibility of setting the temperature level and pressure of the washing water.

The heated seat not only provides a pleasant feeling, but also allows the body to relax and comfortably meet its biological needs.

In addition to the washing programs, the device is equipped with, among others, the function of drying with warm air, which allows you to abandon toilet paper once and for all.

The built-in carbon filter actively and effectively absorbs unpleasant odors, thus increasing the comfort of use.



Major & Maker - perfect cleanliness at the touch of a button.

The Major & Maker company was established with the idea of creating automatic bidets.

The Major & Maker shower seat is the answer to an easier, more comfortable and healthier everyday toilet.

Our devices provide the highest-class cleanliness and efficiency in caring for hygiene and comfort for you and your family at the touch of a button.

The shower seat is an optimal combination of efficiency and comfort of use with simple, intuitive operation.

The Major & Maker SAPPHIRE shower board is a premium device that is currently one of the most technologically advanced electronic bidets available on the market.

Using the Major & Maker SAPPHIRE washing board reduces the risk of bacterial infections in the intimate areas.

Water is the purest and most effective natural product for the hygiene of even the most delicate part of the body.

Thanks to the Major & Maker SAPPHIRE washing board, you can easily take care of perfect hygiene for yourself and your loved ones.

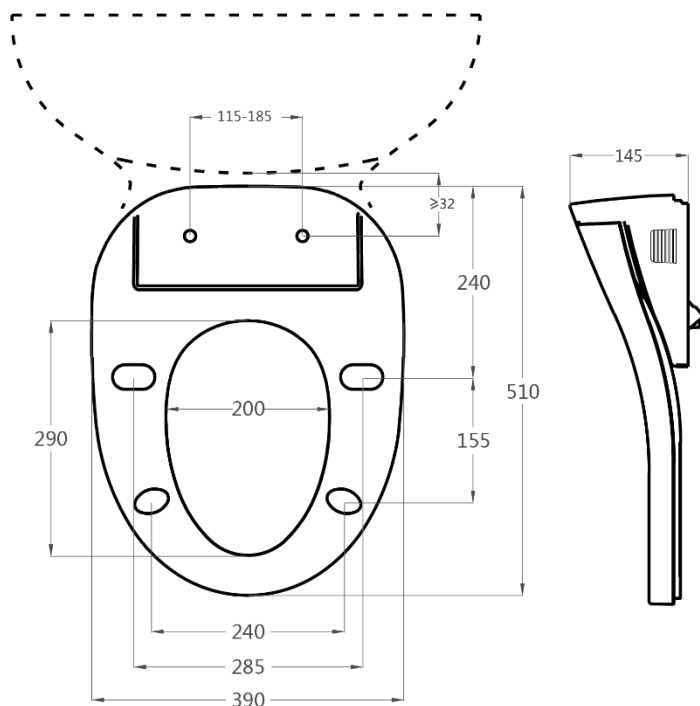


## FUNCTIONS

- Convenient and intuitive remote control. Access to selected functions on the button panel on the side.
- Built-in LED display.
- High-quality stainless steel washing nozzle with two independent wash water jets, resistant to dirt and corrosion.
- Self-cleaning of the washing nozzle before and after washing.
- Rear and front washing function with unlimited hot water.
- Advanced capacity-flow heating system guarantees immediate heating and stable water temperature during washing.
- Automatic water change to fresh water every 72 hours.
- Container for descaling fluid, which protects the inside of the installation against limescale.
- Option to switch the nozzle operation mode (spot washing, massage, turbo mode with intense water pulsation, which supports the defecation process).
- Option to switch the nozzle operation mode (spot washing, massage, turbo mode with intense water pulsation, which supports the defecation process).
- A rimless toilet.
- The ability to adjust the level of water pressure (4 adjustment options in the range 0.08MPa - 0.75MPa).
- Warm air drying function.
- Toilet seat heating function.
- Lid and toilet seat drop buffer.
- The cover of the toilet seat and toilet lid is made of high-quality ABS materials, resistant to discoloration, bacterial deposition, UV radiation and fire.
- For the sake of long service life, high-class electronic components have been used that are designed for failure-free operation for a period of 8 to 15 years.
- The function of automatic moistening of the bowls before using the toilet, which makes them much less susceptible to dirt.
- Automatic cleaning of the shells in the rinsing process.
- The function of illumination of the inside of the shell.
- Attractive appearance, the quality of the materials used and a uniform coating that makes it easier to keep the device clean.

## SPECIFICATION





Overall product dimensions: **510x390x145mm**

Seat opening dimensions: **290 x 200 mm**

Weight: **4.5 kg**

Type of control: **Remote control + Simplified side panel**

## **Major & Maker showroom**

### **Address:**

ul. Bartycka 24/26 pavilion 123, 00-716 Warsaw

### **Opening hours:**

Mon - Fri 10:00 - 17:00

Sat 10:00 - 15:00

### **Contact details:**

mobile: +48 735-877-688

email: [vivo@majormaker.pl](mailto:vivo@majormaker.pl)