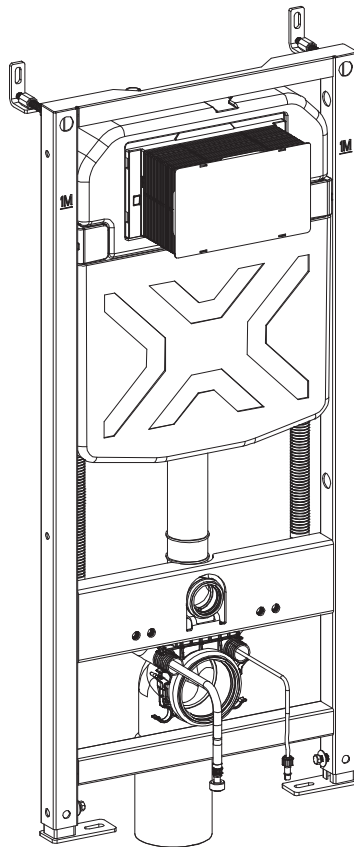


Concealed Cistern General Installation Instructions for Smart Toilets

TYPE: S2003

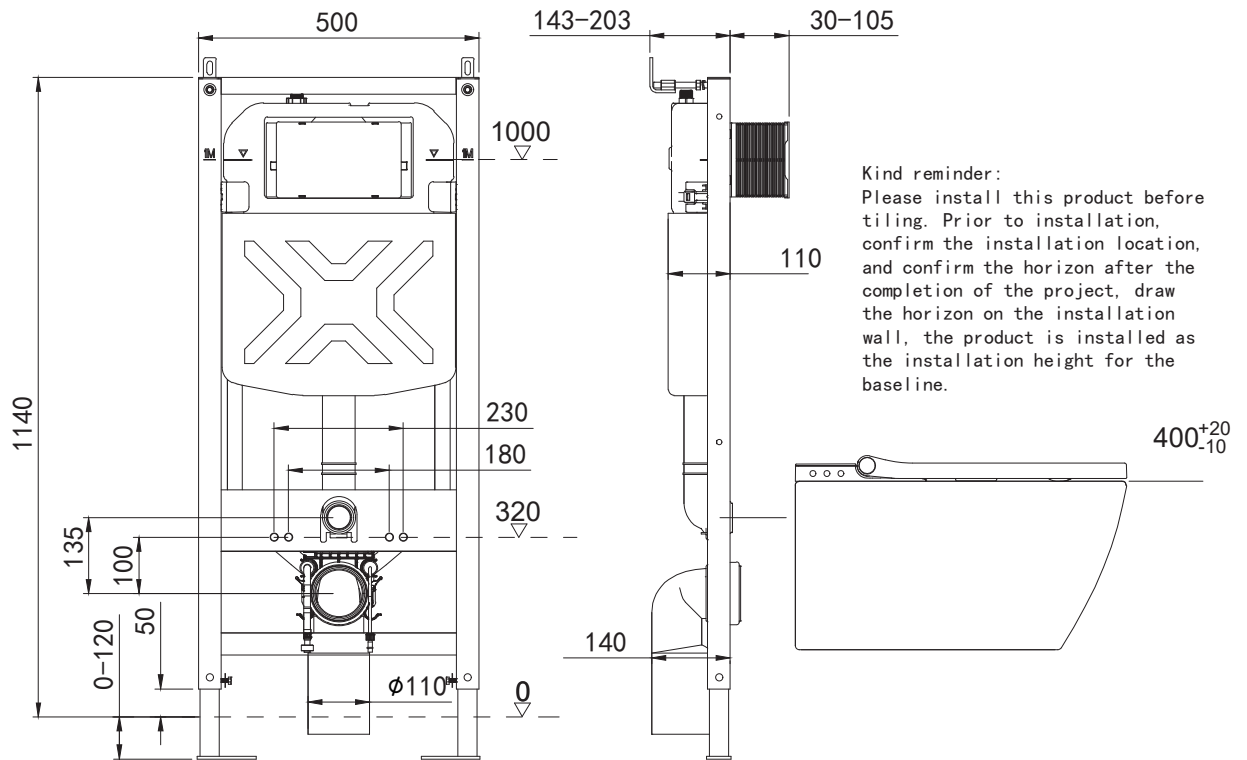


Thank you for your purchasing our concealed cisterns. In order to ensure that the product can provide the best function and guarantee the product life cycle, you are suggested read this manual carefully before use.

1. Product feature

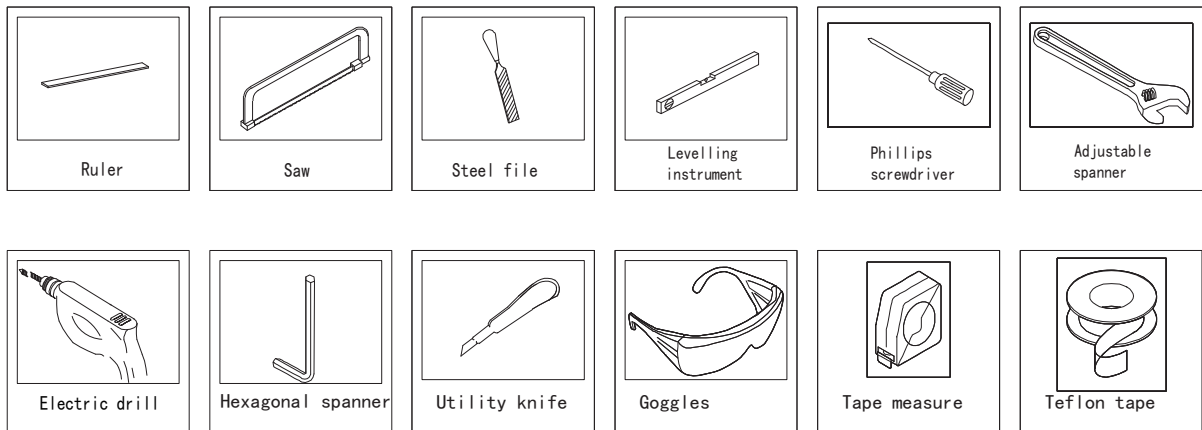
Diameter of water supply pipe	½" (DN15)
Applicable water pressure	0.02-0.8MPa
Applicable water pressure	5°C-45°C
Flush volume	Full flush 6L, half flush 4L; automatic flush (Volume can be adjusted by inlet and outlet valve)

2. Specification (mm)

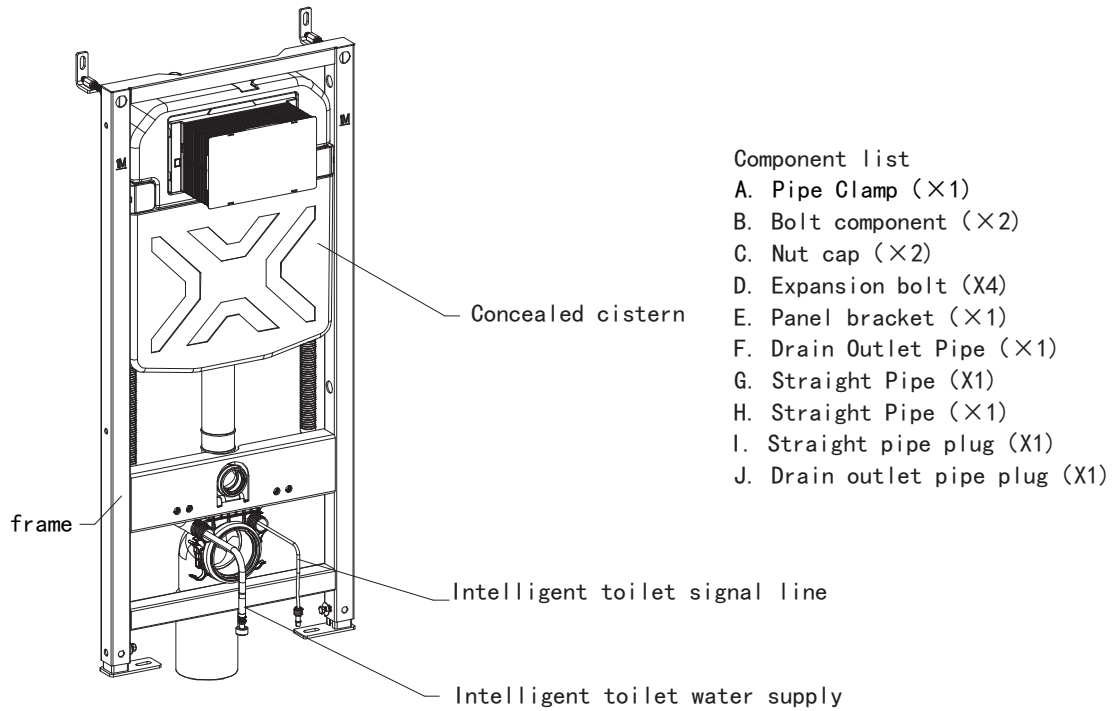


Please record the model number purchased and save the installation manual for future reference.

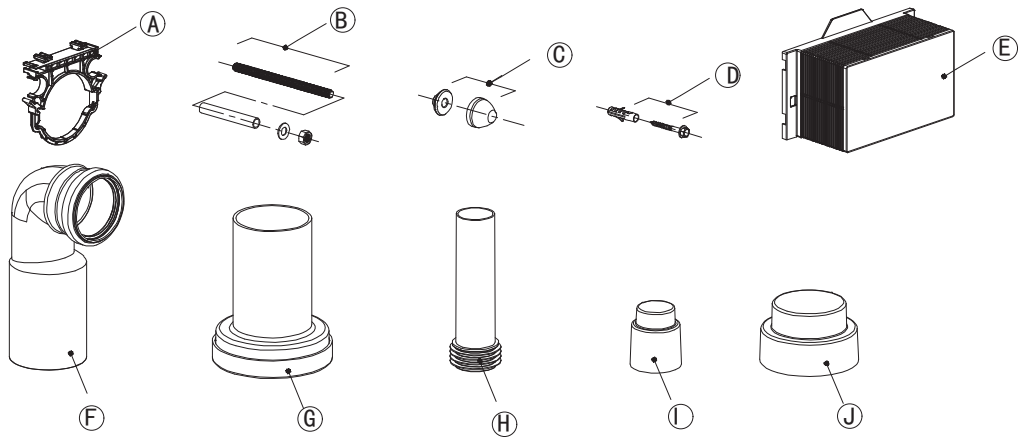
Recommended tools: For safety and ease of installation and replacement, it is recommended that you use the following tools



3. Component

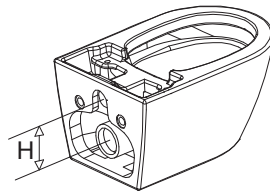
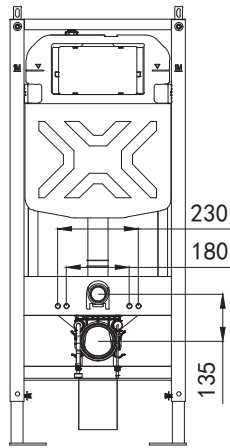


Pictures are for reference only

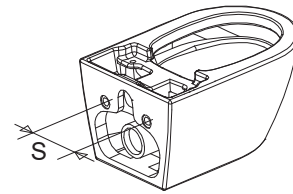


4. Precautions

- 1). Please make sure that the components in the package are complete. If there are any missing pieces, please contact our customer centre in time. The above pictures are for reference only. Please refer to the real thing.
- 2). Please read the following instructions carefully, to avoid bodily injury or damage to the equipment, please follow the instructions step by step to install the equipment
- 3). Due to the continuous improvement of the company's products, the products are subject to change without notice. The illustrations in this manual are only schematic diagrams, and please refer to the product in kind
- 4). We are not responsible for any faults caused by the use of any parts from other companies.
- 5). Please make sure that the distance between the inlet hole and the drain hole of the ceramic toilet, dimension H, is in accordance with the 135 dimensions provided with this product.
 - If the measured value is 135 ± 5 , the installation requirements are met and you can continue with the installation procedure.
 - If the measured value exceeds 135 ± 5 , then the installation does not comply with the requirements, please contact our customer centre promptly
- 6). Please measure the distance S from the wall mounting holes of the ceramic toilet, so as to facilitate the installation of hanging test bolts to choose the corresponding threaded holes on the iron frame.



Regular size 135

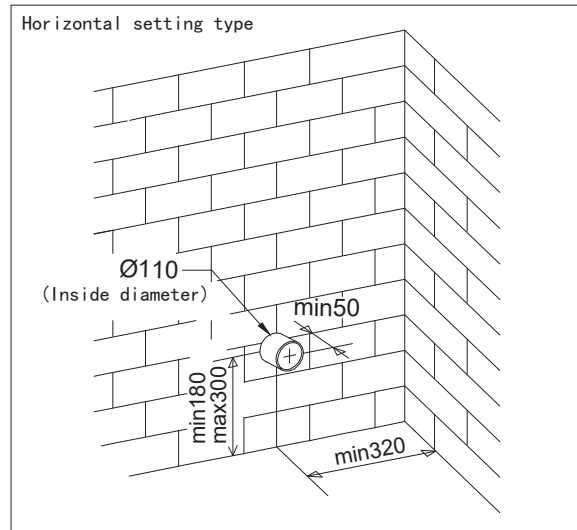
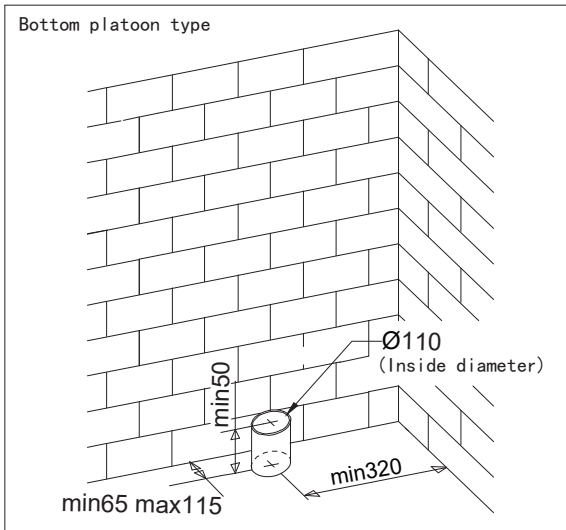


Regular size 180

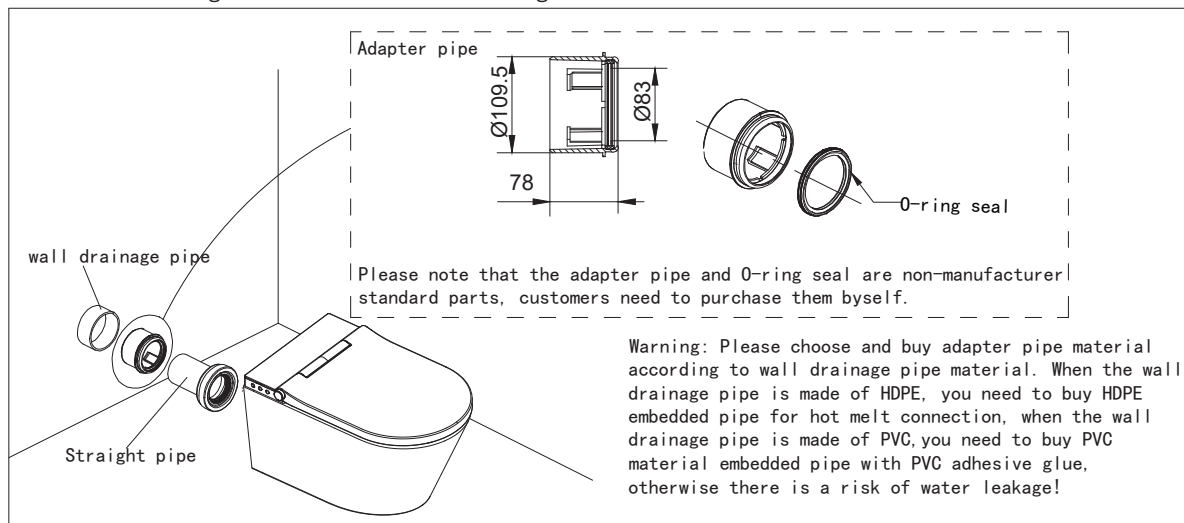
⚠ As shown in the following figure, the distance of the drain outlet pipe from the wall, the location of the drain outlet pipe, the hole diameter to meet the size requirements shown in the figure. If not, professional installers need to be adjusted to change.

⚠ This product is not equipped with various specifications of the adapter, if the inner diameter of the down pipe is not $\phi 110$, you need to ask a professional in advance to purchase ready!

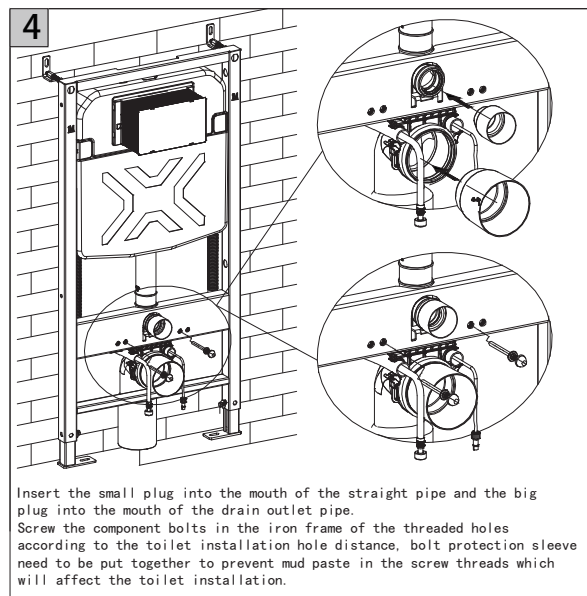
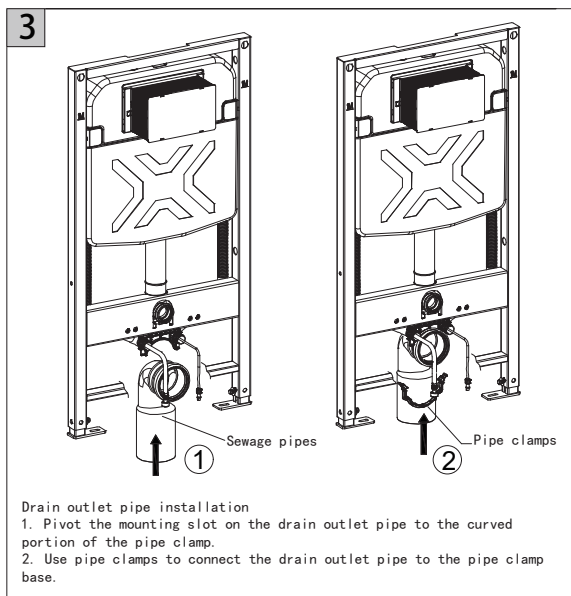
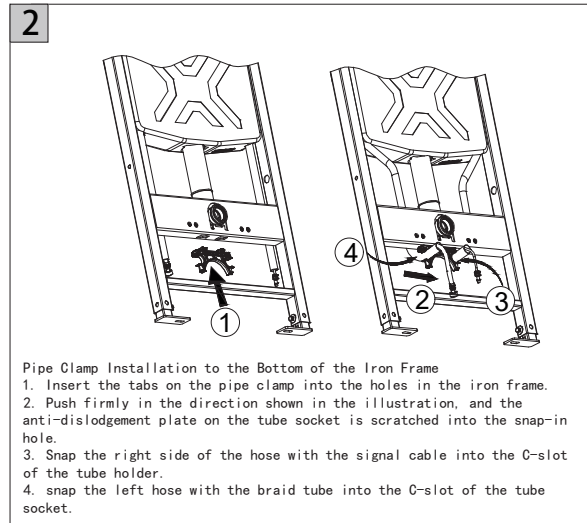
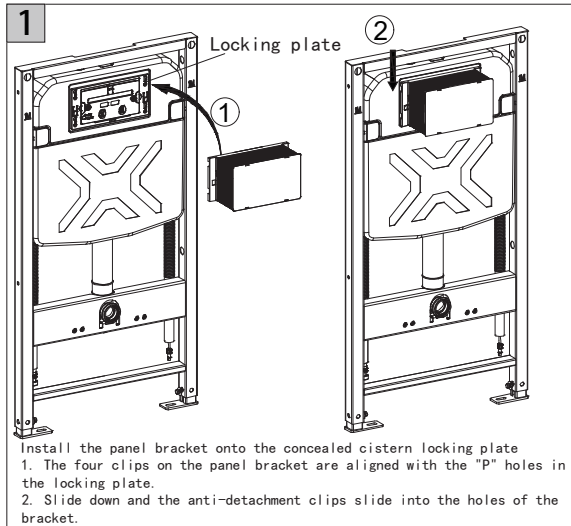
FFL $\frac{0}{\downarrow}$ = floor horizon surface after completion of installation



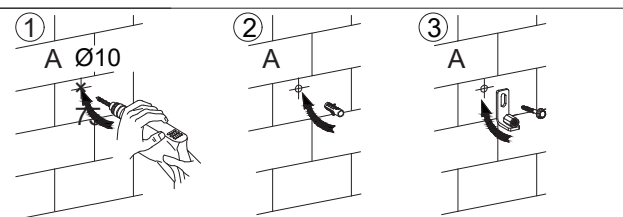
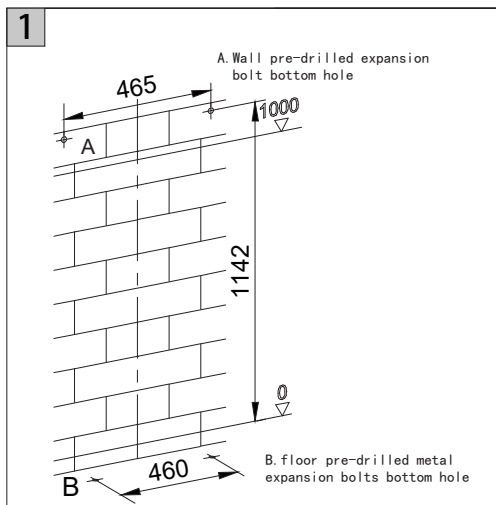
Installation diagram for horizontal setting



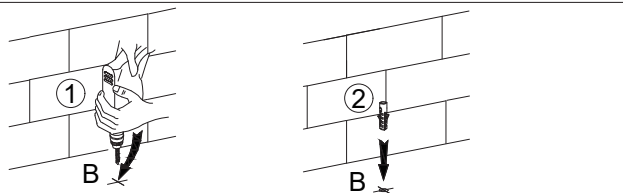
5. Installation steps for the components



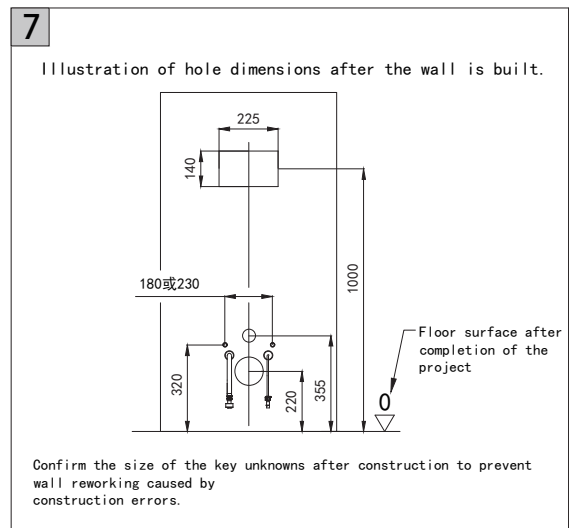
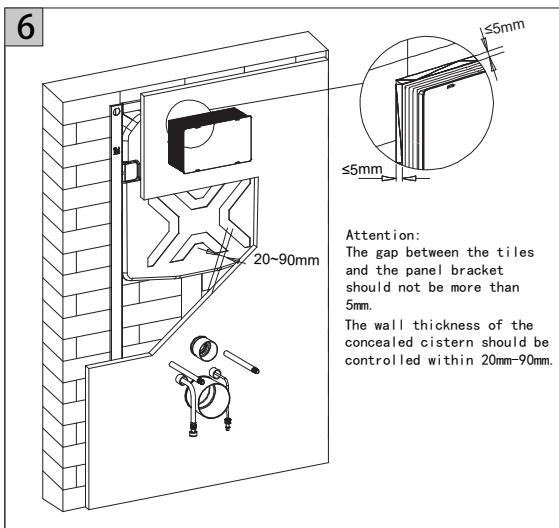
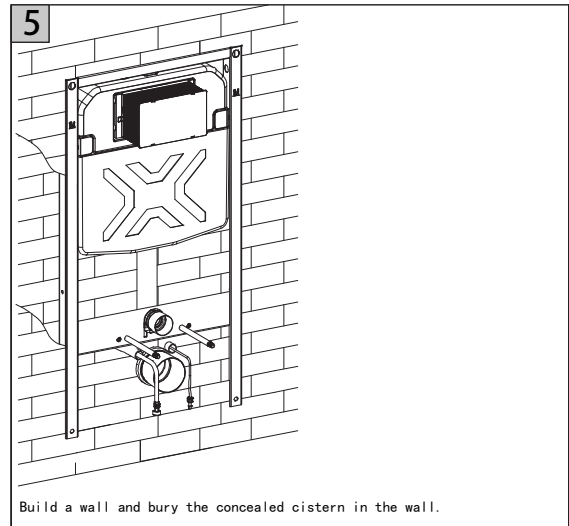
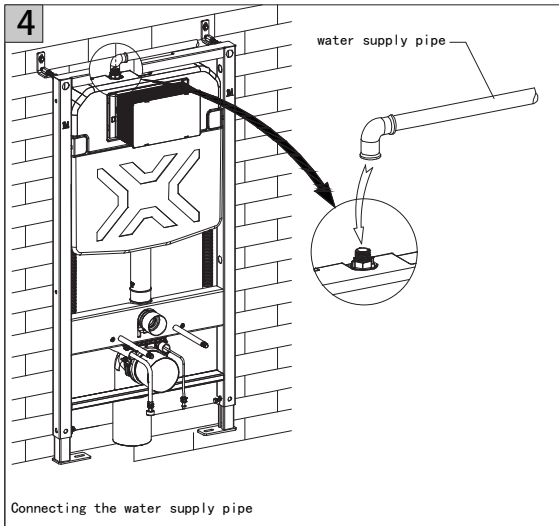
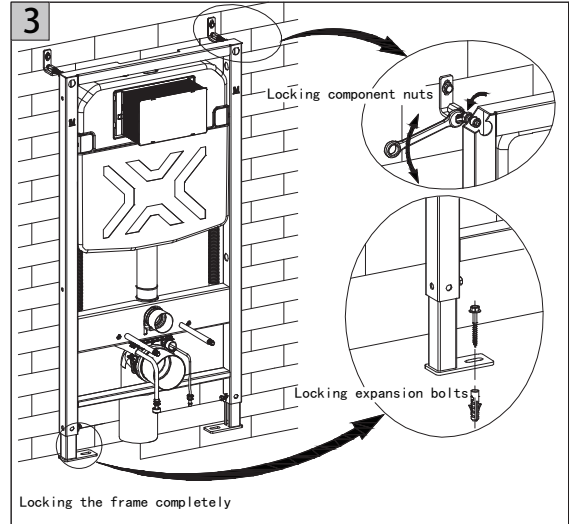
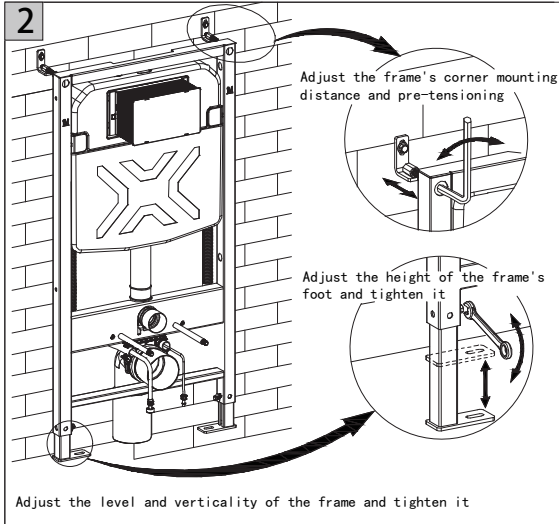
6. The installation for the frame



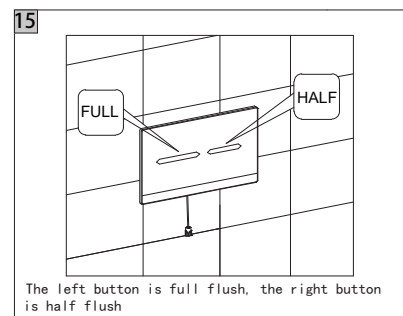
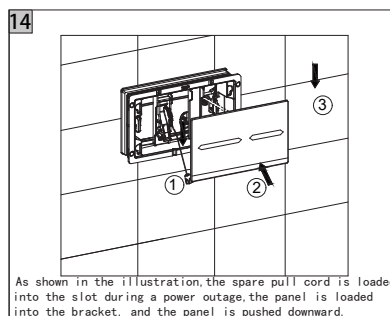
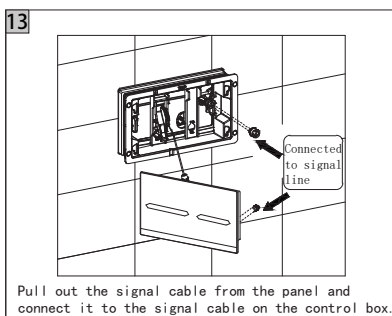
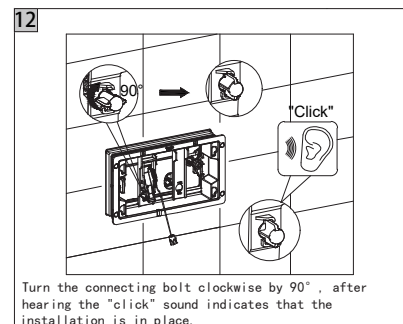
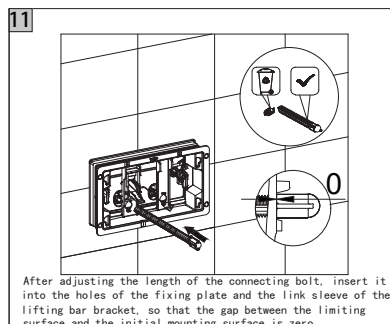
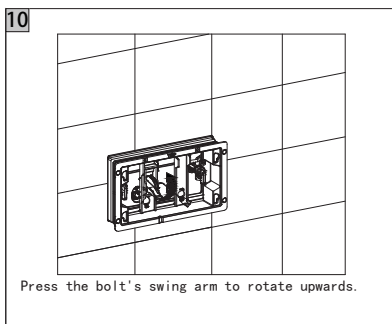
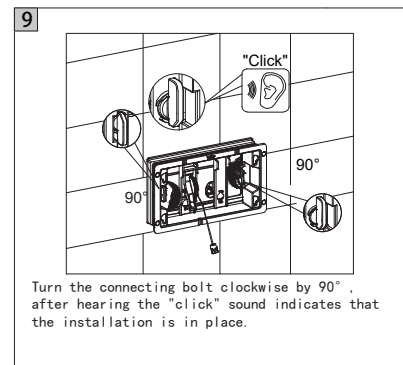
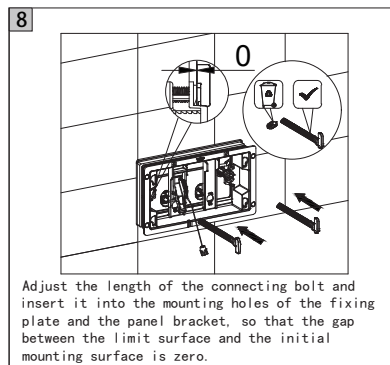
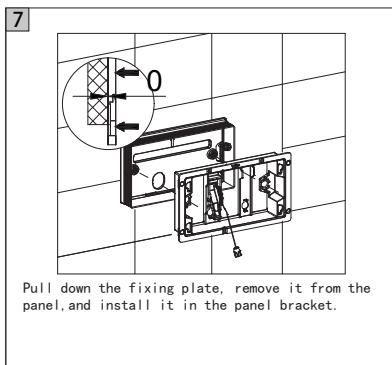
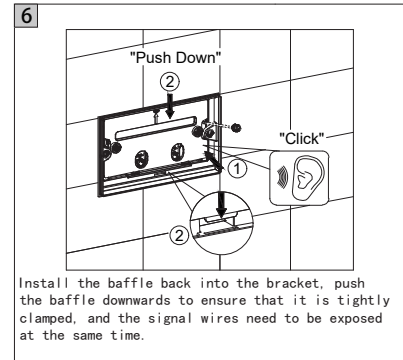
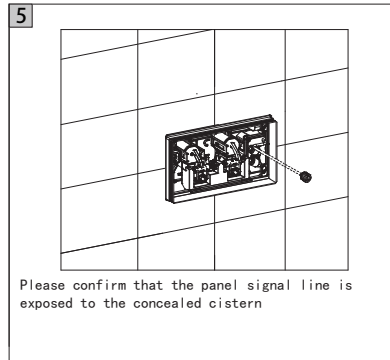
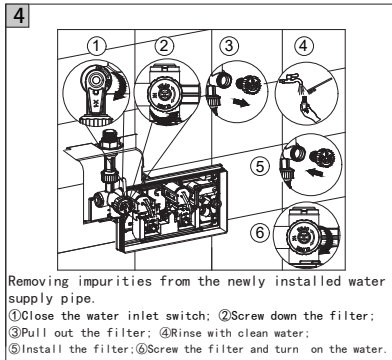
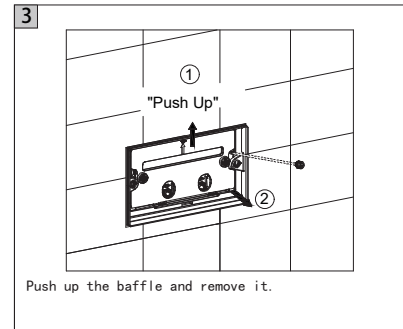
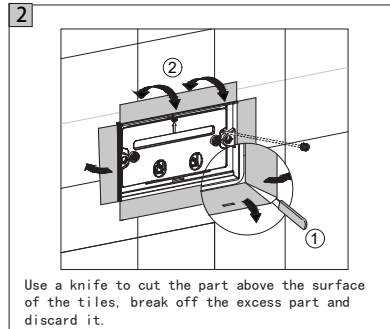
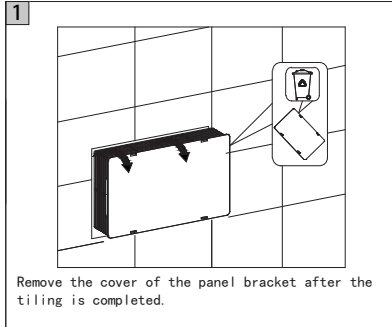
The iron frame can also be placed against the wall to mark the holes and then drill holes and install plastic expansion bolts.



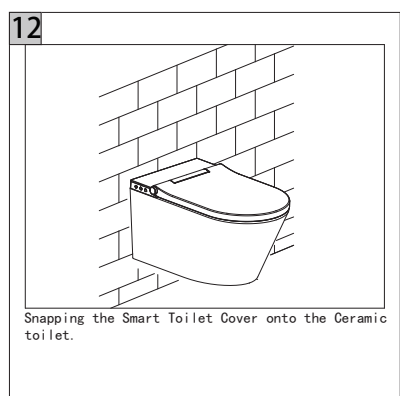
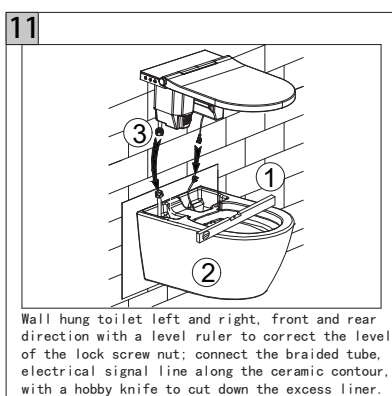
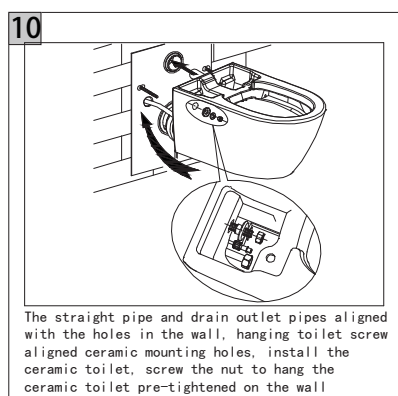
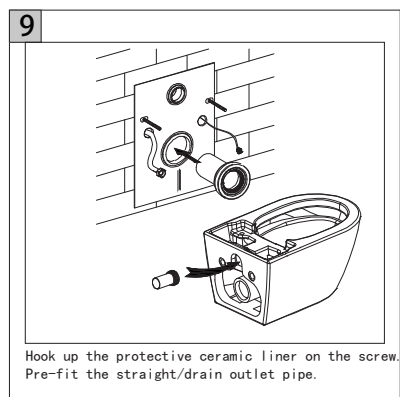
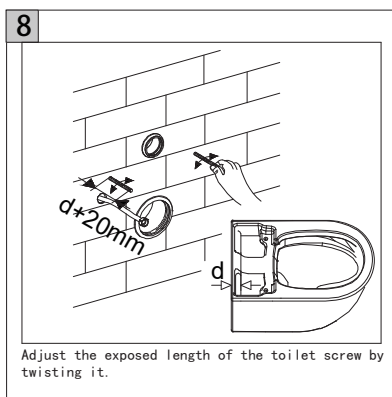
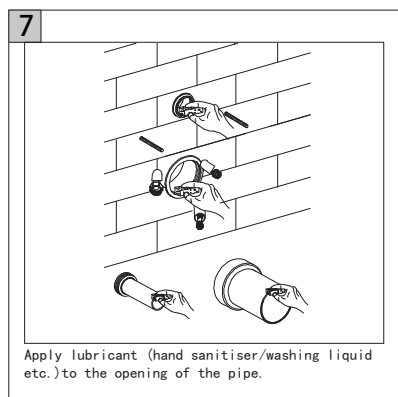
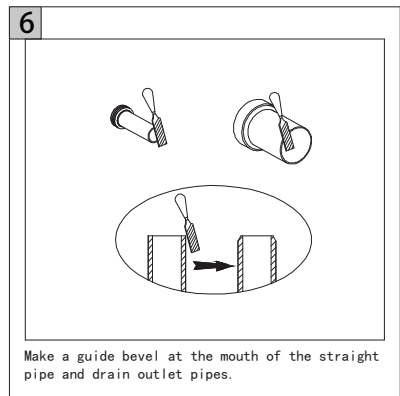
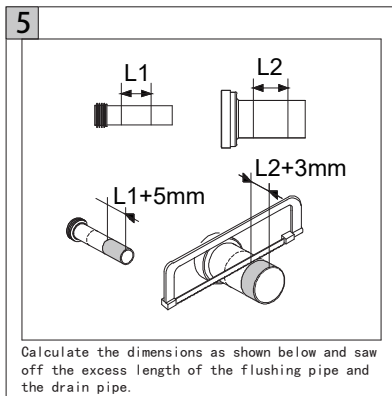
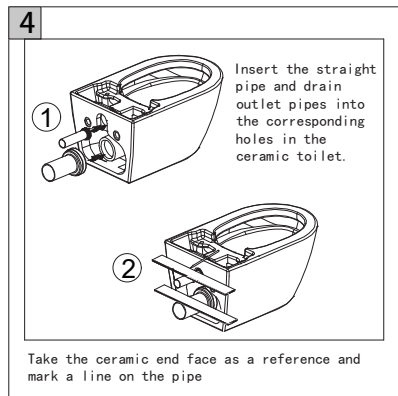
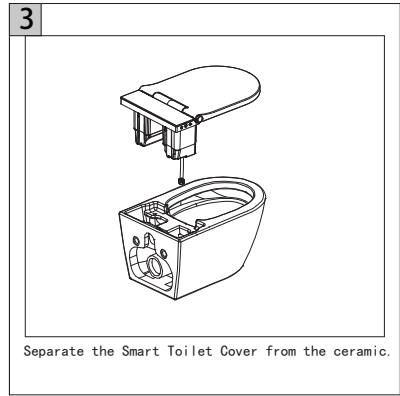
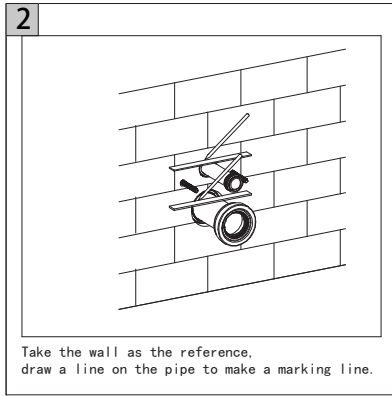
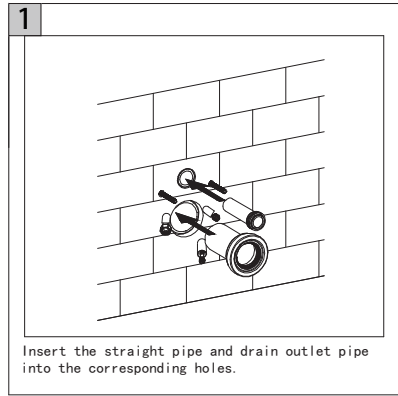
The iron frame can also be placed against the wall. Mark the holes on the floor and then drill holes and install metal expansion bolts.



7. The installation steps for panel



8. Installation steps for wall hung toilet



9. Water efficiency information

Water efficiency level, water efficiency labelling, please see the matching ceramic toilet products on the water efficiency logo.

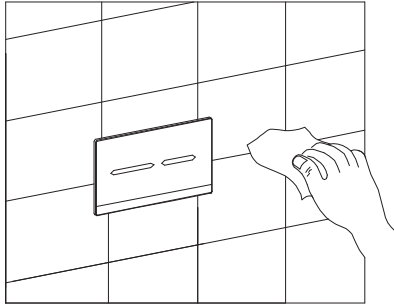
10. Cleaning and maintenance instructions

in order to ensure the normal use of the product, please carry out regular cleaning and maintenance of the product.

A. Panel cleaning and maintenance instructions

Caution:

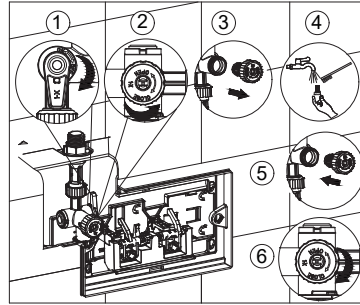
Do not use unsuitable cleaner such as: toilet bowl cleaners, alcohol, cresol, benzene, stain removers, bleach, tannas, paint thinner, household cleaners, oils, etc.



B. Maintenance of inlet filters

For the durability of the product, please clean the filter in time according to the local water quality.

When you find that the water intake time becomes longer or water does not come in, please clear the filter mesh in time. When removing the filter, be sure to turn off the water inlet switch. In addition, when installing the filter, please screw it tightly to avoid water leakage. It is recommended to clean the filter once every 3 months.



Steps

- ① Turn off the water inlet switch
- ② Screw down the filter
- ③ Pull out the filter
- ④ Rinse with clean water
- ⑤ Install the filter
- ⑥ Tighten the filter and

⚠ Caution:

Do not use or put any chlorine or any chemical related ingredients into the tank, use of such products will result in damage to the components in the tank and may result in water leakage and property damage and void the warranty.

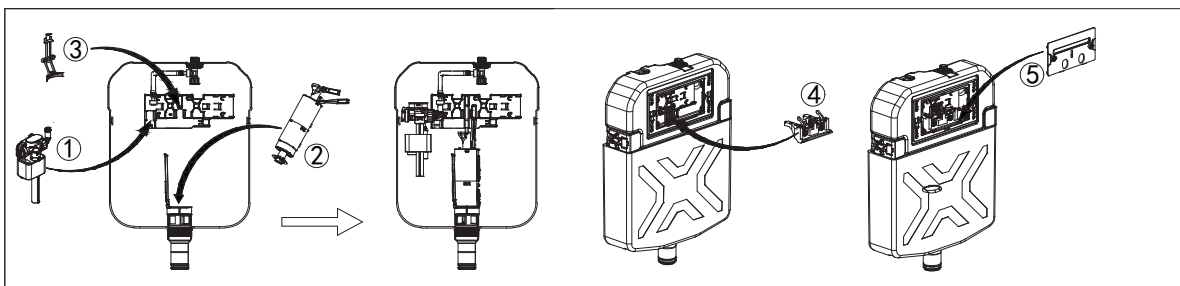
11. Faults and solutions

If you find similar faults, please read the following content to try its disposal method to discharge the fault problem, if you still can not solve the problem, please contact the sales centre or call the customer service centre for contact.

A. Clearing of fault for water inlet valve		
Faults	Reason	Remedy
The inlet valve does not feed water	The water inlet switch is not turned on.	Turn on the water inlet switch.
	the filter is clogged by the water quality.	clean the filter according to the instructions.
The inlet valve does not stop the flow of water	The surface of the inlet valve is dirty, and the float is stuck and can not float.	Clearly remove the dirt.
	Faulty water inlet valve	Call a professional for repairs.

B. Clearing of faults for the outlet valve		
Faults	Reason	Remedy
Leaking	Outlet valve affected by water quality, parts surface scaling.	Cleaning to remove the dirt
	Outlet valve faults	Call a professional for repairs
No drainage	Outlet valve faults	Call a professional for repairs

12. Tank Fitting Installation Diagram



13. Tank fittings water volume adjustment method

<p>A. Inlet valve</p> <p>A. Inlet Valve Adjustment When the float is lowered, the water volume decreases. When the float is turned up, the water volume increases.</p>	<p>B. Outlet valve</p> <p>B. Outlet valve adjustment When the adjusting plate is lowered, the water volume decreases. When the adjusting plate is turned up, the water volume increases.</p>	<p>C. Drainage speed adjustment Narrowing the downstream window reduces the drainage speed Widen the window and increase the drainage speed.</p> <p>Drainage outlet</p>
--	--	--